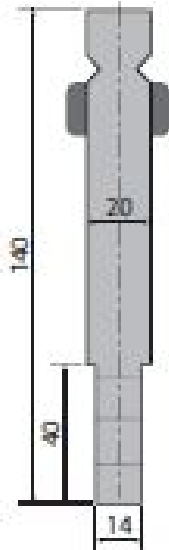


Radius Tools

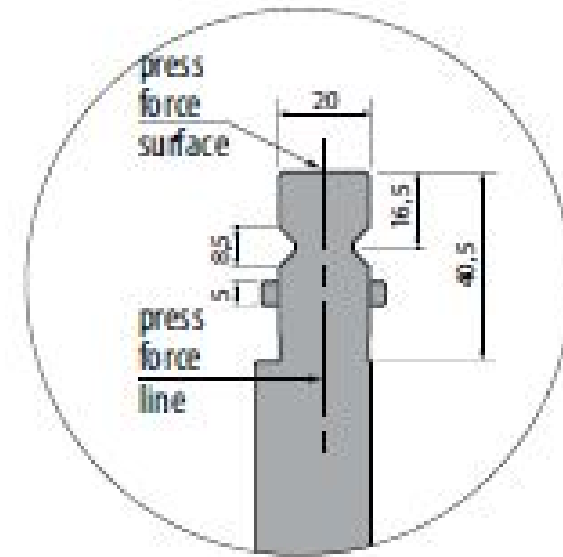
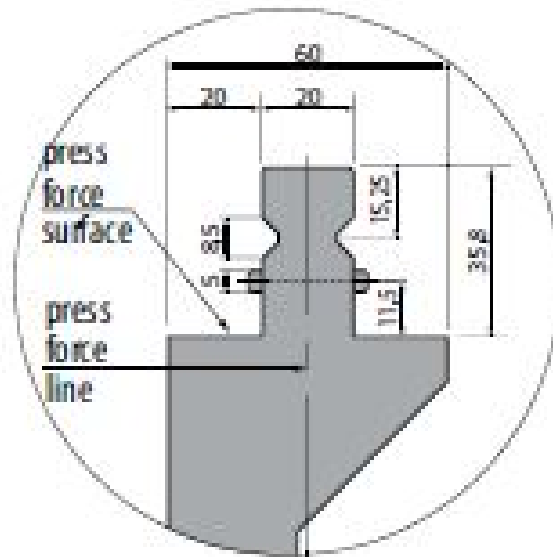
WRT140-14

800 kN/m max.

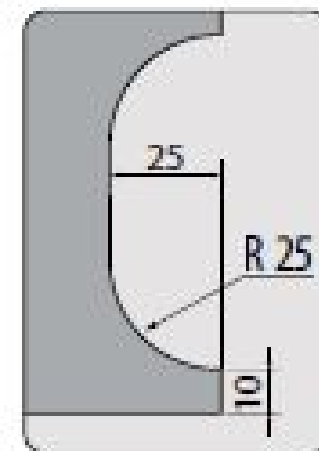
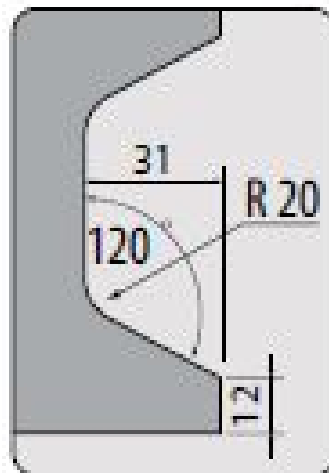
830 mm	17.2 kg
412 mm	9.0 kg



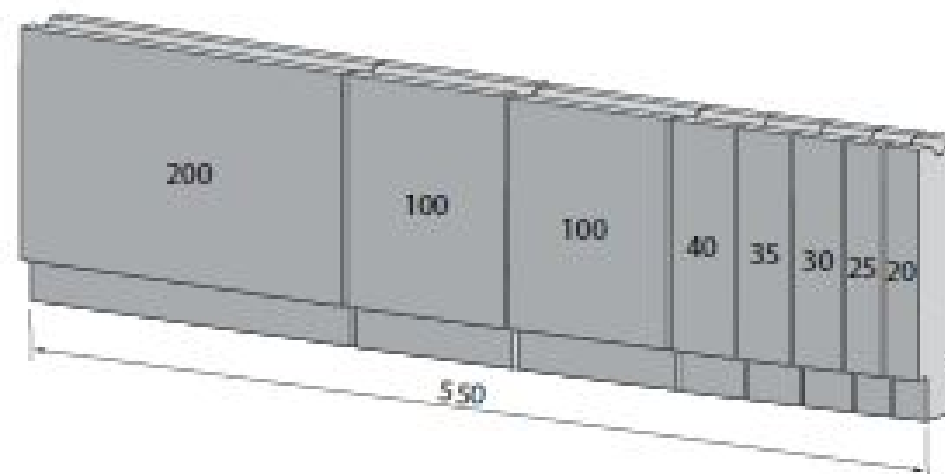
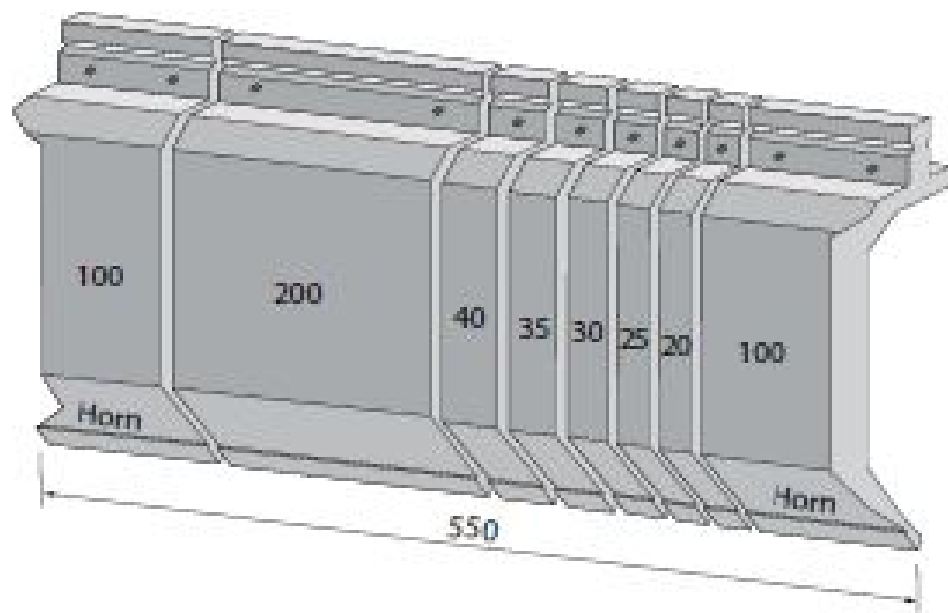
■ Adaption Standards



■ Horn Standards



■ Segment Standards



■ Material

Material	Resistance	Original Hardness	Final Hardness
42CrMo4	900-1200 N/mm ²	30 - 37 HRC	50 - 56 HRC