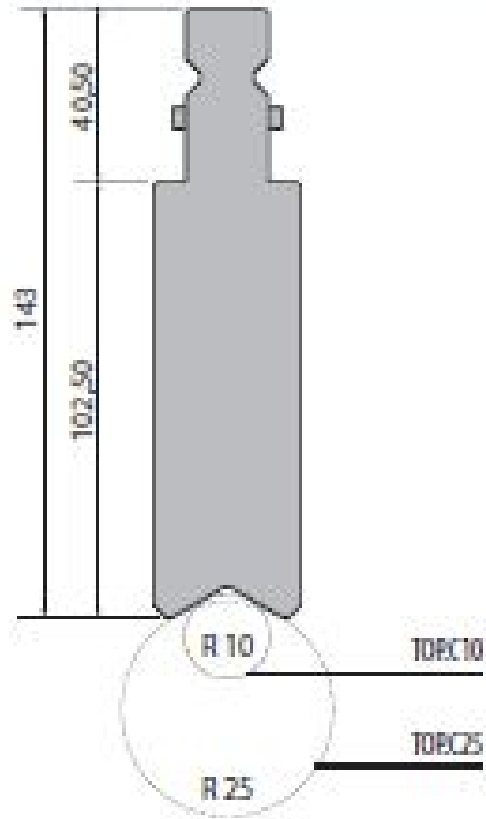


WRT143.10

1000 kN/m max.

525 mm	18.0 kg
495 mm sections	17.2 kg



WRT136.15

1000 kN/m max.

525 mm	25.2 kg
495 mm sections	23.8 kg

