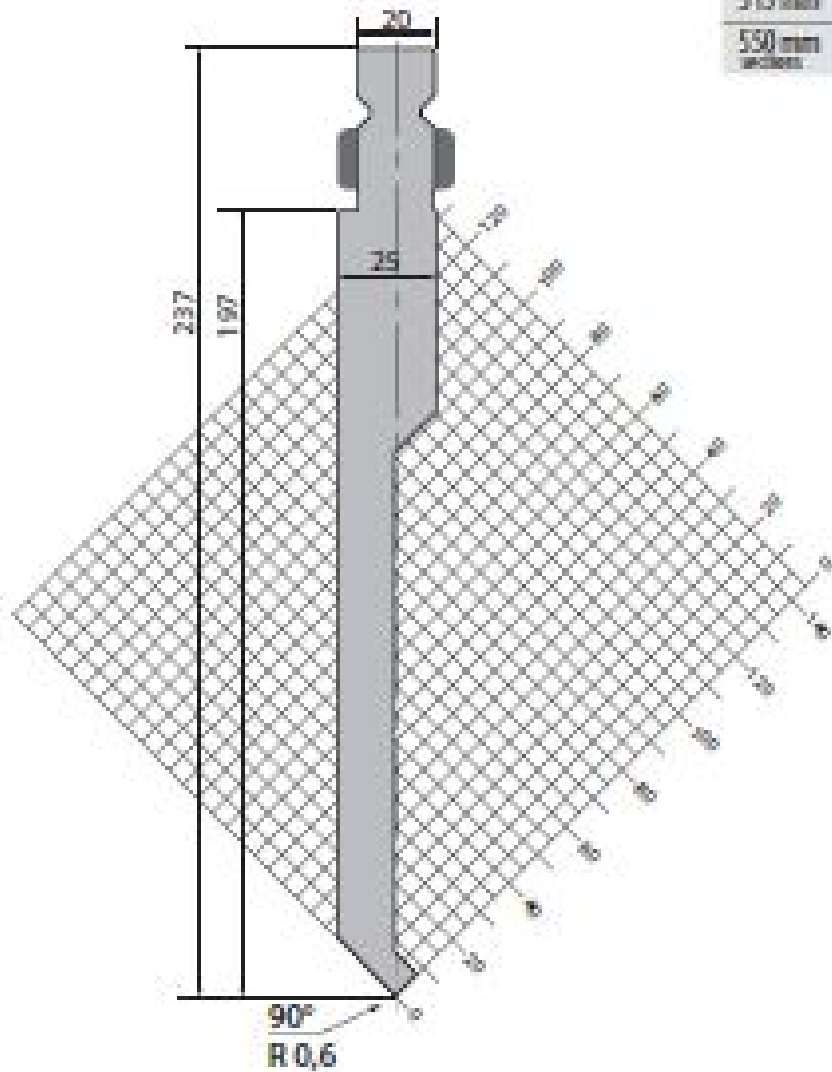


WP237.90.R06

600 kN/m max.

515 mm	17.6 kg
550 mm section	18.8 kg



WP237.90.R12

1000 kN/m max.

515 mm	19.2 kg
550 mm section	20.5 kg

