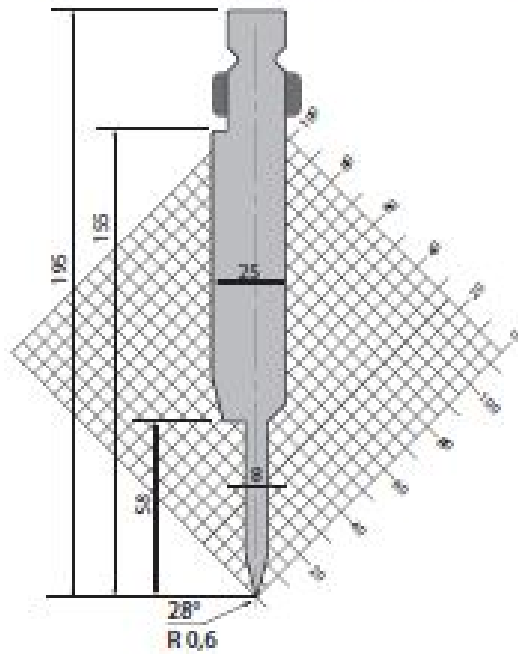


### WHT 195.28.8

800/1000 kN/m max.

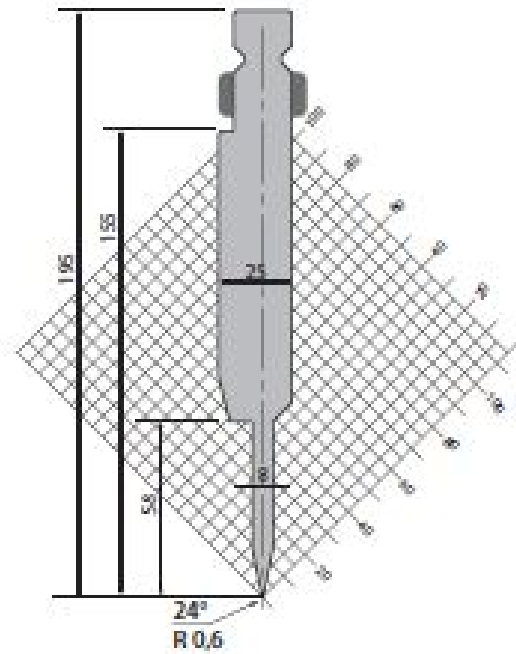
525 mm	9.5 kg
495 mm section	9.0 kg



### WHT 195.24.8

800/1000 kN/m max.

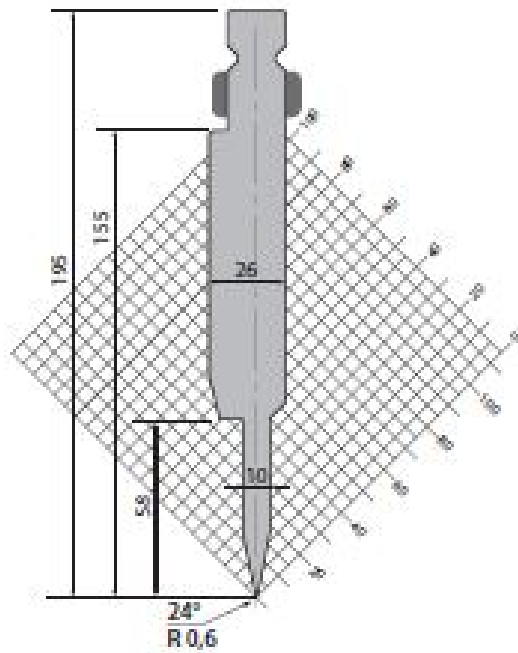
525 mm	9.5 kg
495 mm section	9.0 kg



### WHT 195.24.10

800/1000 kN/m max.

525 mm	15.6 kg
495 mm section	9.4 kg



### WHT 195.24.12

800/1000 kN/m max.

525 mm	15.6 kg
495 mm section	9.6 kg

