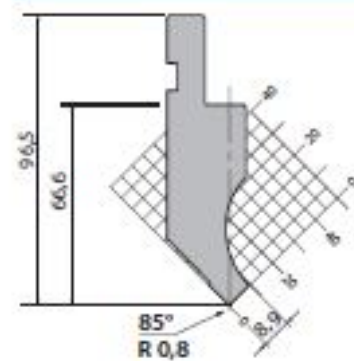
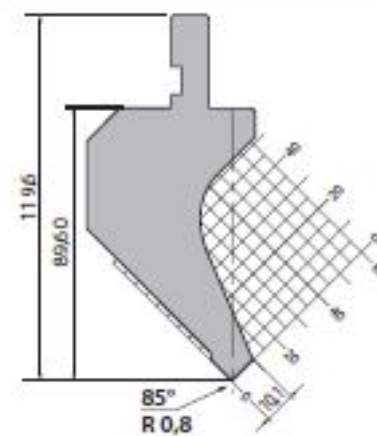
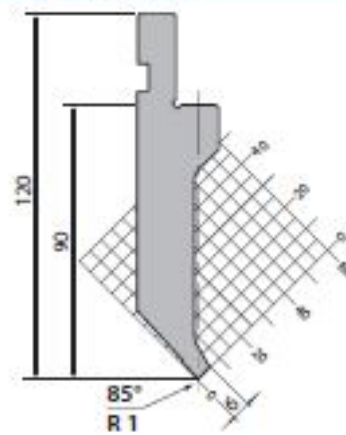


**AP 97.85.R08****1000 kN/m max.**

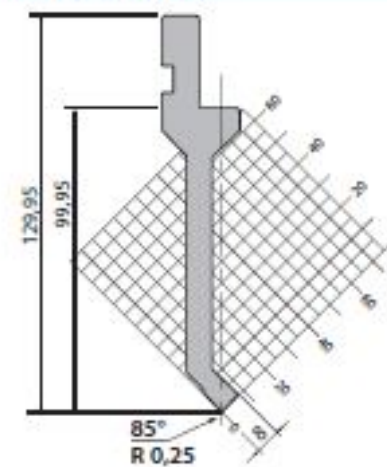
835 mm	11.0 kg
835 mm sections	11.0 kg
415 mm	5.6 kg

**AP 120.85.R08****600 kN/m max.**

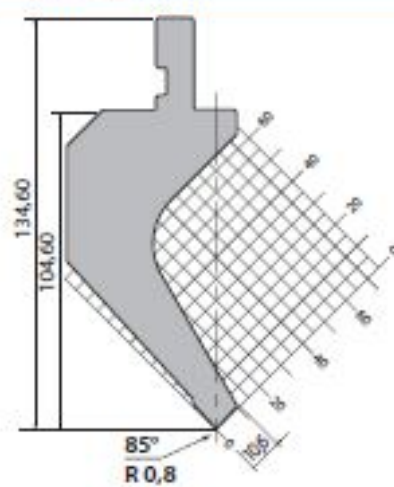
835 mm	20.8 kg
835 mm sections	20.8 kg
415 mm	10.6 kg

**AP 120.85.R1****800 kN/m max.**

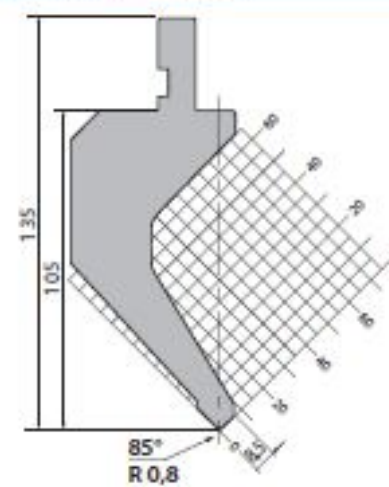
835 mm	13.6 kg
835 mm sections	13.6 kg
415 mm	6.8 kg

**AP 130.85.R025****350 kN/m max.**

835 mm	11.4 kg
835 mm sections	11.4 kg
415 mm	5.6 kg

**AP 135.85.R08****500 kN/m max.**

835 mm	22.0 kg
835 mm sections	22.0 kg
415 mm	11.2 kg

**AP 135.85.R08S****800 kN/m max.**

835 mm	21.0 kg
835 mm sections	21.0 kg
415 mm	10.4 kg