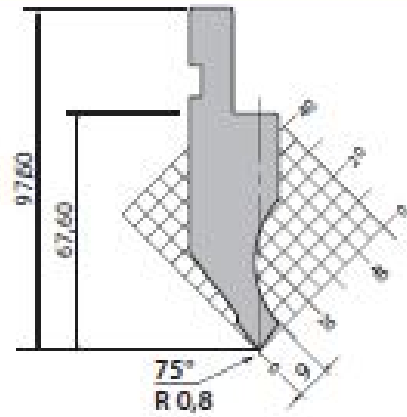


AP 97.75.R08

1000 kN/m max.

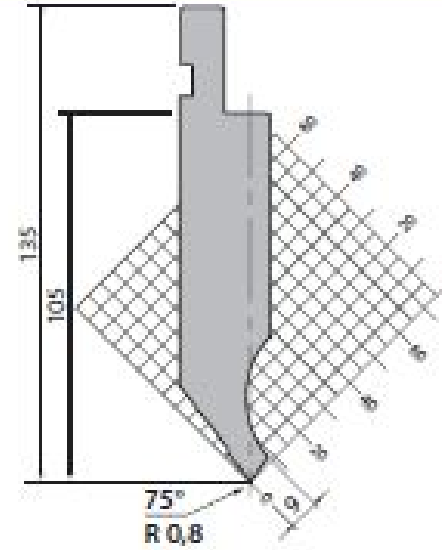
835 mm	11.0 kg
835 mm sections	11.0 kg
415 mm	5.6 kg



AP 135.75.R08

1000 kN/m max.

835 mm	17.6 kg
835 mm sections	17.6 kg
415 mm	8.6 kg



AP 175.75.R08

750 kN/m max.

525 mm	21.4 kg
525 mm sections	21.4 kg

