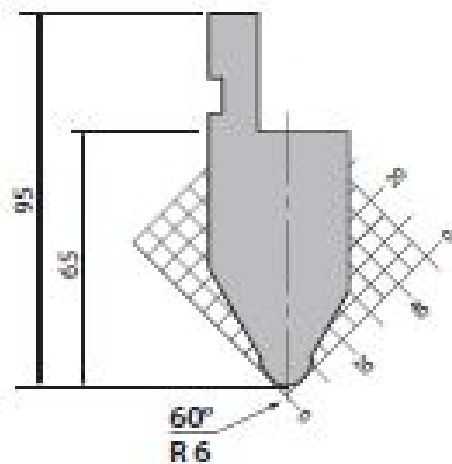


AP 95.60.R6

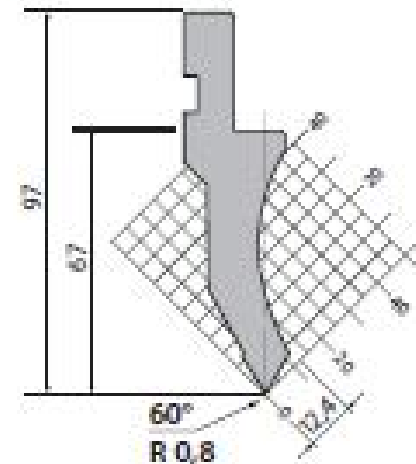
1000 kN/m max.



835 mm	15.0 kg
835 mm section	15.0 kg
415 mm	7.6 kg

AP 97.60.R08

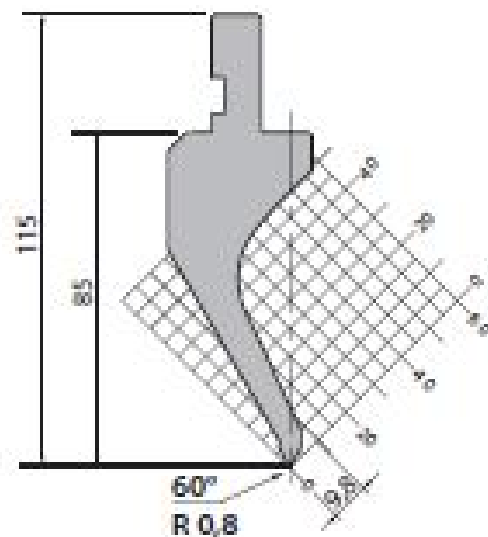
600 kN/m max.



835 mm	9.0 kg
835 mm section	9.0 kg
415 mm	4.6 kg

AP 115.60.R08

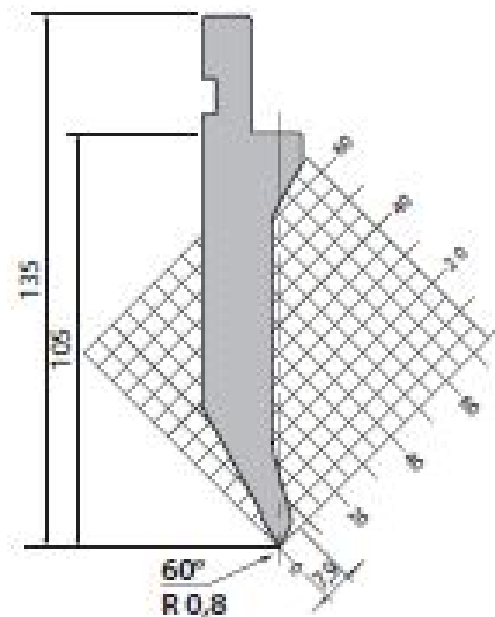
400 kN/m max.



835 mm	12.0 kg
835 mm section	12.0 kg
415 mm	6.0 kg

AP 135.60.R08

800 kN/m max.



835 mm	13.8 kg
835 mm section	13.8 kg
415 mm	7.0 kg